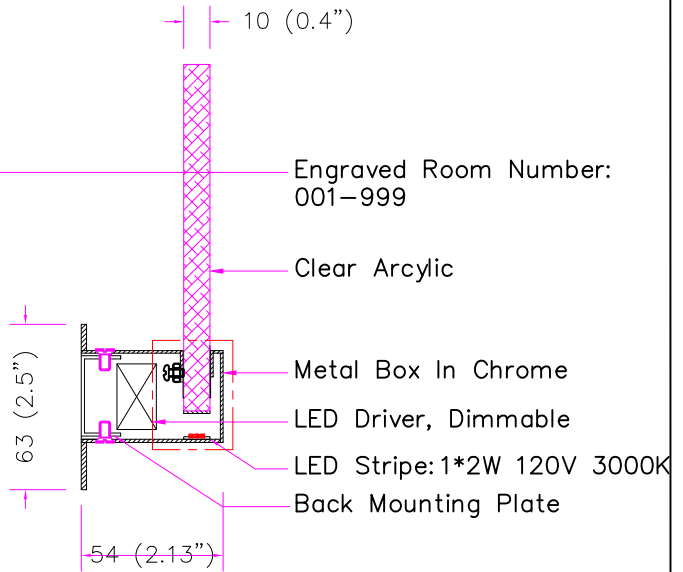
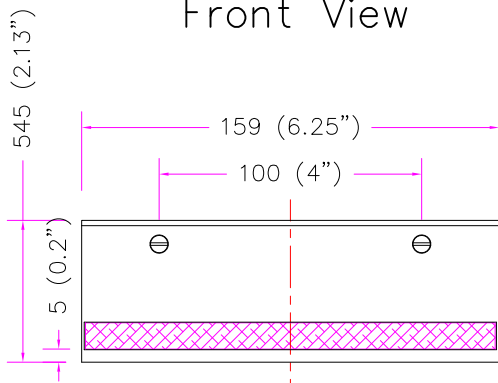


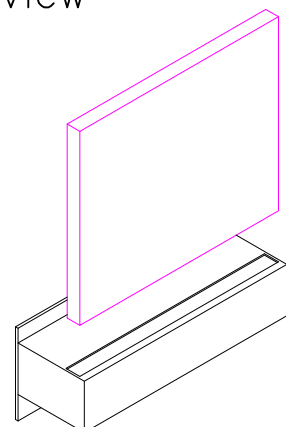
Front View



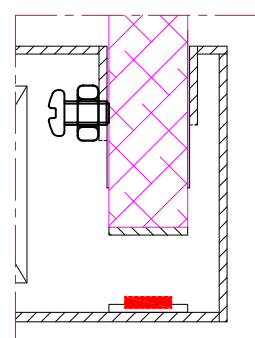
Side View



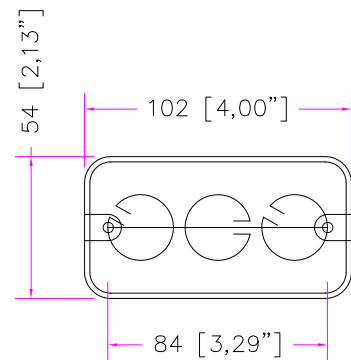
Down View



3D Show



Part A Details



Single Gang J-box



OAD	D2.13"*W6.25"*H6.38"	PROJECT:	Wes-Houston	DRAWING NUMBER:	LTG-312	DATE:		DWG BY:	LC
WEIGHT	2.0 KG	ITEM:	Wall Sconce	FINISHES		REV.	DATE	CHKD BY:	
MOUNTING	-			FITTING	Per sample	A		-	
VOLTAGE	120 V	ALL MATERIALS, COMPONENTS AND WORKMANSHIP IN ACCORDANCE WITH U.L., N.E.C. AND LOCAL BUILDING AND LIFE SAFETY CODE AGENCIES STANDARDS	SHADE	Acrylic Shade	B		SCALE		INTS
WATTAGE	2W		DIFFUSER	-	C		UNITS	mm [in]	
BALLAST TYPE 1	-		ACCENT 1	-	D		SIZE	LETTER	
BALLAST TYPE 2	-		ACCENT 2	-	E		SHEET	1 OF 1	
BULB TYPE 1	LED Strip		ACCENT 3	-	F		TOLERANCE		
BULB TYPE 2	-					LINEAR	±1mm [0.03937in]		
BULB TYPE 3	-					ANGULAR	±0.5°		